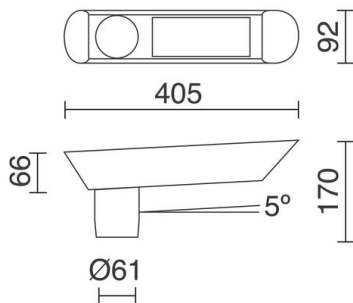


ARYA 673A-L0224A-39

Luminaire for pole ARYA IP66 LED SMD 27W 4150lm(3750lm) CRI80 3500K 170mm
Anodized aluminum



Luminaire for Post Arya is made of aluminum with IP66 and LEST available with two 27W and 36W powers with emission temperature of 2700K and 3500K. The light is dispersed directly. It is apt to illuminate the garden areas from the outside. Includes IP connector.

GENERAL DATA

Category	Bollards and columns
Family	Arya
Finish	[39] Anodized aluminum
Location	Outdoor
Installation	Floor
Body material	Aluminum
Diffuser material	Transparent methacrylate
ETIM class	EC000062
EAN	8435258628942

LIGHT SOURCES AND BEAMS

Sources	LED SMD 27W 4150lm(3750lm) 3500K CRI80
Energy efficiency	D (3500K)
Beam	Direct asymmetric

TECHNICAL DATA

Dimensions	Length x Height x Width x Pole's top diameter (mm): 405 x 170 x 92 x 60
IP	IP66
Protection class	Class II
Frequency	50/60 Hz
Input voltage	110-240V AC V
Total wattage	30 W
Output current	760 mA
Power factor	0.95
Auxiliary gear	Electronic
Auxiliary equipment brand	Meanwell
Operating temperature range	-40 - 55 °C
Lifetime	50,000 h
LED lifetime L	90
LED lifetime B	10
Weight	2.6 Kg
Cable outlets	1
ECORAE category I	-
ECORAE I	0.7
Photobiological risk group	RG2

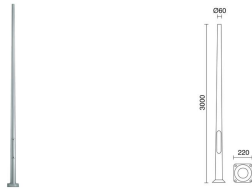
NOTES

- IP connector included
- IK06 (lente) / IK10 (cubierta)
- Type II optics (consult other optics)
- Protección contra Sobretensiones hasta 10kV

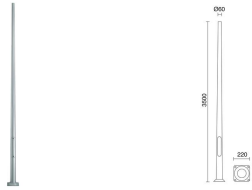
ARYA 673A-L0224A-39

Luminaire for pole ARYA IP66 LED SMD 27W 4150lm(3750lm) CRI80 3500K 170mm
Anodized aluminum

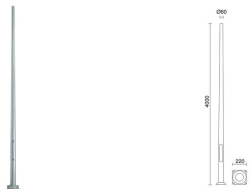
RECOMMENDED ACCESSORIES



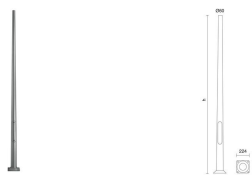
C03B-32-39
TopØ60 pole POSTES 3000mm
Anodized aluminum



C03C-32-39
TopØ60 pole POSTES 3500mm
Anodized aluminum



C03D-32-39
TopØ60 pole POSTES 4000mm
Anodized aluminum



C03F-32-39
TopØ60 pole POSTES 5000mm
Anodized aluminum